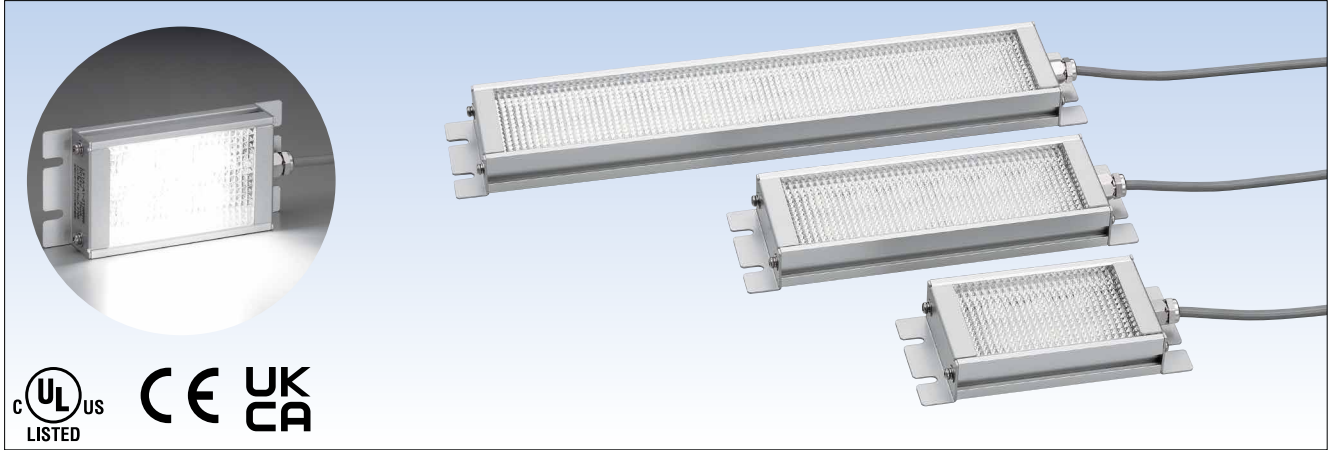


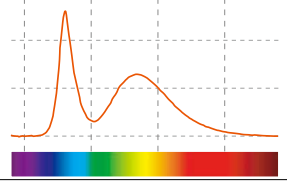
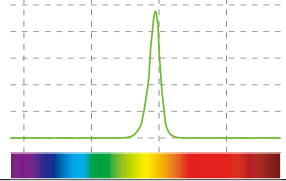
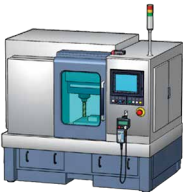



LED module and high heat-radiation technology allow for thin LED housing



Features and Applications by Illumination Color

Illumination Color	Daylight	Yellow
Type No.	LF1A- *-2THWW6	LF1A- *-2SHY8
Appearance		
Spectrum		
Features	Suppressing glare, the bright, clear white illumination color lights up a target object clearly.	Yellow illumination color gives off an emission spectrum with a dominant wavelength of 592 nm. It does not include 500 nm or shorter wavelengths.
Application Examples	<ul style="list-style-type: none"> • Machine Tools • Control Panel/Plant Equipment • Inspection/Test Equipment 	<ul style="list-style-type: none"> • Semiconductor Manufacturing Equipment • IC Plants 

Types

Illumination Color	Illumination Color	
	Daylight	Yellow
LED Arrangement		
3 LEDs x 2 rows	LF1A-A1-2THWW6	LF1A-A1-2SHY8
6 LEDs x 2 rows	LF1A-B1-2THWW6	LF1A-B1-2SHY8
12 LEDs x 2 rows	LF1A-D1-2THWW6	LF1A-D1-2SHY8

Specifications

General Specifications

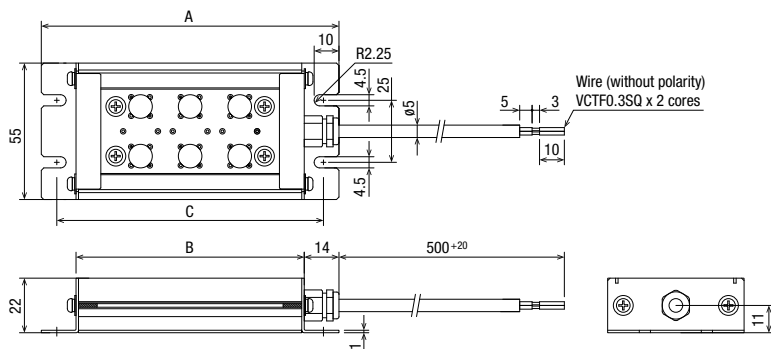
Type No.	LF1A- *-2THWW6		LF1A- *-2SHY8
Rated Voltage	24V DC (without polarity)		
Input Current (typ.) (at rated voltage)	3 LEDs x 2 rows	55 mA	90 mA
	6 LEDs x 2 rows	110 mA	180 mA
	12 LEDs x 2 rows	220 mA	360 mA
Rated Power (typ.) (at rated voltage)	3 LEDs x 2 rows	1.3W	2.2W
	6 LEDs x 2 rows	2.6W	4.4W
	12 LEDs x 2 rows	5.3W	8.7W
Dielectric Strength	Between live and dead parts: 1000V AC, 1 minute		
Insulation Resistance	Between live and dead parts: 100 MΩ (500V DC megger)		
Operating Temperature	-20 to +50°C		
Storage Temperature	-25 to +70°C		
Operating/Storage Humidity	45 to 85% RH (no condensation)		
Life (half luminance)	40,000 hours		
Weight (approx.)	LF1A-A1: 190g, LF1A-B1: 270g, LF1A-D1: 470g		
Degree of Protection	IP40		

LED Optical Specifications

Type No.	LF1A- *-2THWW6		LF1A- *-2SHY8
Illumination Color	Daylight		Yellow
Luminous Intensity (typ.) (Single LED module)	6000 mcd		4000 mcd
Color Temperature (typ.) / Dominant Wavelength (typ.)	5500K		590 nm
Reference Illuminance (typ.) at 500 mm	3 LEDs x 2 rows	160 lx	100 lx
	6 LEDs x 2 rows	320 lx	205 lx
	12 LEDs x 2 rows	645 lx	415 lx

Dimensions

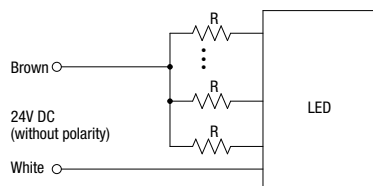
All dimensions in mm.



Dimension List

Type No.	A	B	C
LF1A-A1-*	120	92	108
LF1A-B1-*	180	152	168
LF1A-D1-*	300	272	288

Internal Circuit



IDEC CORPORATION

Head Office 6-64, Nishi-Miyahara-2-Chome, Yodogawa-ku, Osaka 532-0004, Japan

 www.idec.com

USA IDEC Corporation
EMEA APEM SAS

Singapore IDEC Izumi Asia Pte. Ltd.
Thailand IDEC Asia (Thailand) Co., Ltd.
India IDEC Controls India Private Ltd.

China IDEC (Shanghai) Corporation
IDEC Izumi (H.K.) Co., Ltd.
Taiwan IDEC Taiwan Corporation

Japan IDEC Corporation

Specifications and other descriptions in this brochure are subject to change without notice.
Information in this brochure is current as of April, 2022.
2022 IDEC Corporation, All Rights Reserved.

EP1219-3

